

INSTALLATION AND SAFETY INSTRUCTIONS

FOR YOUR SAFETY

WARNING: BE SURE THE ELECTRICITY TO THE WIRES YOU ARE WORKING ON IS SHUT OFF; EITHER THE FUSE IS REMOVED OR THE CIRCUIT BREAKER IS SHUT OFF.

GENERAL

You don't need special tools to install this fixture. Be sure to follow the steps in the order given. Under no circumstances should a fixture be hung on house electrical wires, nor should a swag type fixture be installed on a ceiling which contains a radiant type heating system. Read instructions carefully. If you are unclear as to how to proceed, consult a qualified electrician. **NOTE:** Proper wiring is essential for the safe operation of this fixture.

FIXTURE ASSEMBLY

Carefully remove the fixture from the carton and check that all parts are included as shown in figure. Be careful not to misplace any of the screws or parts, which are needed to install this fixture.

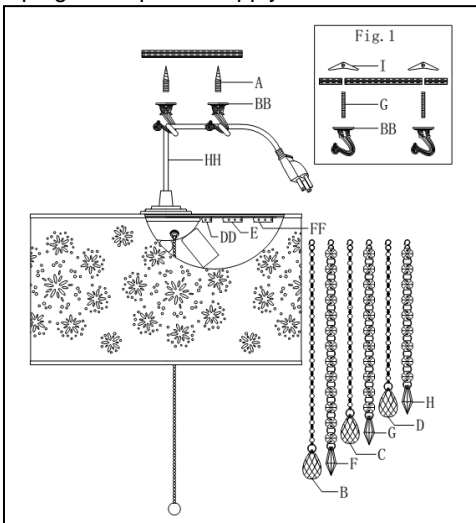
INSTALLATION 1

STEP 1: Respectively hang the crystal drop (B),(F) in steel ring (DD) of the holes, and Respectively hang the crystal drop (C),(G) in steel ring (E) of the holes, and then Respectively hang the crystal drop (D),(H) in steel ring (FF) of the holes.

STEP 2: Thread the screws (A) into hook (BB), then secure the screws (A) into the wood beam; OR drill two holes in the ceiling, place the butterfly clip (I) through the hole of the ceiling, then secure the screws (G) into the butterfly clip (I), and thread the hook (BB) into the screws (G). (see Fig.1)

STEP 3: Install light bulb. (Please do not exceed the maximum capacity recommended on the socket.)

STEP 4: Will the power cord (HH) around on the hook (BB), then plug in the power supply.



INSTALLATION 2

IMPORTANT: Do not attach fixture directly to outlet box.

STEP 1: Gut off the power cord plug, place the power cord into the iron (I), by adjusting the length of the power cord (HH), then secure a word screw (GG) into the iron (I).

STEP 2: Thread mounting screws (A) into the match holes of Circular strap (BB).

STEP 3: Secure circular strap (BB) to outlet box with outlet box screws (CC).

GROUNDING INSTRUCTIONS

STEP 1: Insert the green grounding screw into the hole with two raised dimples on the mounting bar. Wrap the ground wire from the fixture (if supplied) around the green grounding screw, then connect it to ground wire from the outlet box (if not fixed on the outlet box) using a wire connector (not supplied). If ground wire from the fixture is not supplied, wrap the ground wire (if not fixed on the outlet box) from the outlet box around the green grounding screw and tighten it.

NEVER CONNECT GROUND WIRE TO BLACK OR WHITE POWER SUPPLY WIRES.

STEP 2: Take note of the color of the wire(s) on your fixture.

Identify which group your fixture wire(s) falls into and connect the wires according to the directions below:

GROUP A: Connect to Black House Wire	GROUP B: Connect to White House Wire
BLACK	WHITE
*PARALLEL WIRE (round & smooth)	*PARALLEL WIRE (square & ridged)
WHITE OR GREY WITH TRACER	WHITE OR GREY WITHOUT TRACER
BROWN GOLD OR BLACK WITHOUT TRACER	BROWN, GOLD OR BLACK WITH TRACER

*NOTE: When parallel wire (SPT-1 & SPT-2) is used, the tracer wire is square shaped or ridged and the less tracer wire is round in shape or smooth (seen best when viewed from wire end.)

STEP 3: Take your fixture wire(s) from group A and place evenly twist wires together before using wire connectors.

STEP 4: Fit a wire connector (not supplied) over the wires and screw the connector clockwise until you feel firmness.

STEP 5: Try gently to pull the connector off the wires. If you can pull the connector off, carefully re-do steps 3 and 4 as above, and check again for a firm connection.

STEP 6: Connect the fixture wire from group B to the white wire from the outlet box in the same manner. Make sure no bare wires can be seen outside wire connectors

FINAL ASSEMBLY

STEP 1: After wires are connected, tuck them carefully inside outlet box. Raise canopy (DD) allowing for the mounting screws (A) to protrude through the hole on canopy (DD), then secure with ball nuts (E).

STEP 2: Respectively hang the crystal drop (B),(F) in steel ring (DD) of the holes, and Respectively hang the crystal drop (C),(G) in steel ring (E) of the holes, and then Respectively hang the crystal drop (D),(H) in steel ring (FF) of the holes.

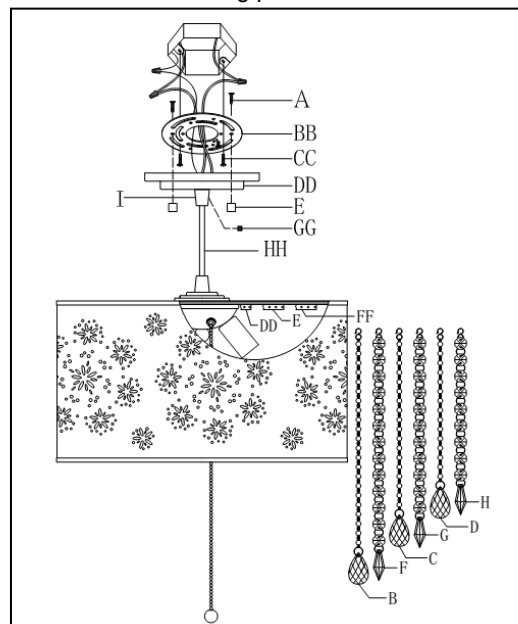
STEP 3: Install light bulb. (Please do not exceed the maximum capacity recommended on the socket.)

CLEANING

To clean, wipe fixture with a soft cloth. Clean glass with a mild soap. Do not use abrasive materials such as scouring pads or powders, steel wool or abrasive paper

ORDERING PARTS

Keep this sheet for future reference, and in case you need to order replacement parts. Be sure to use exact wording from illustration when ordering parts.



Line art shown may not exactly match the fixture enclosed. However, the installations do apply to this fixture.
ITEM NO:440-14