

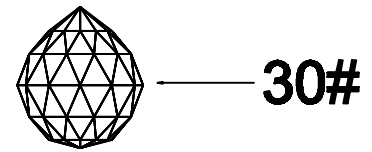
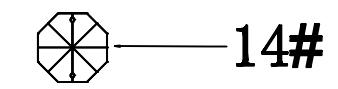
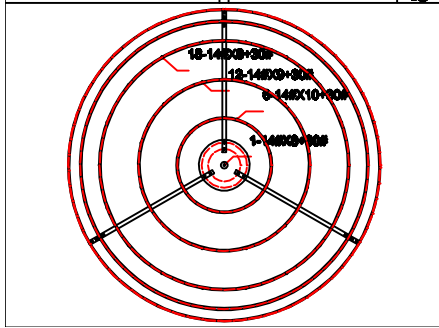
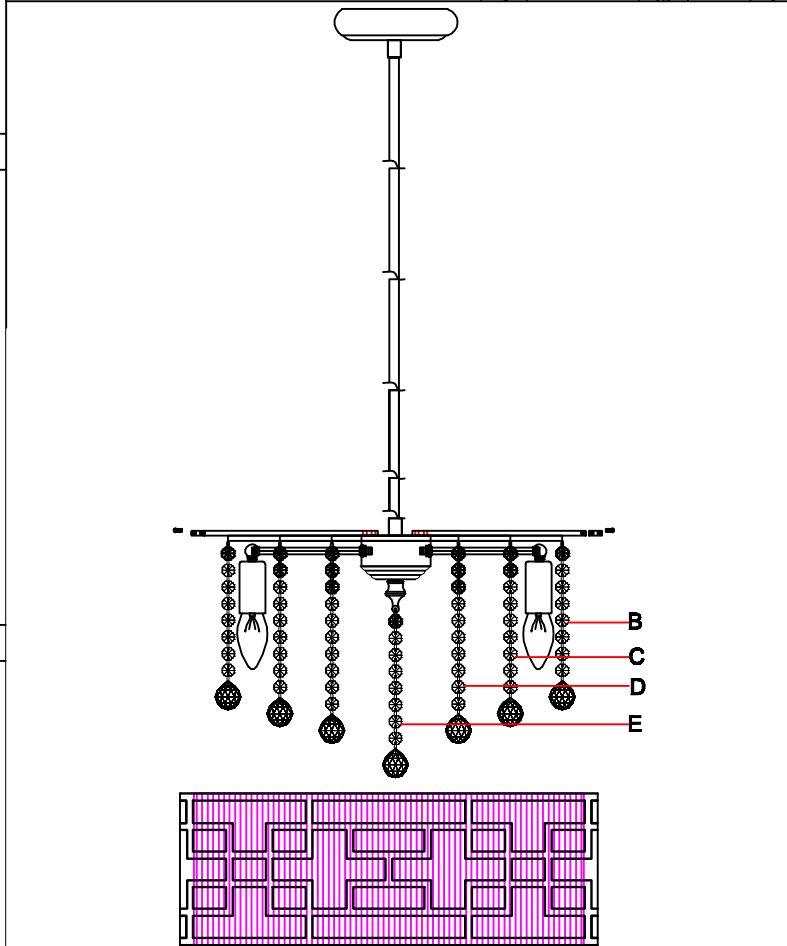
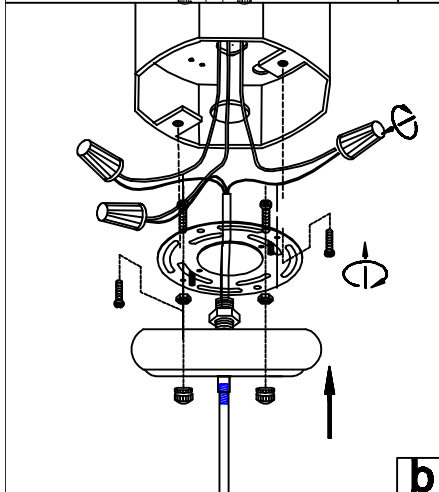
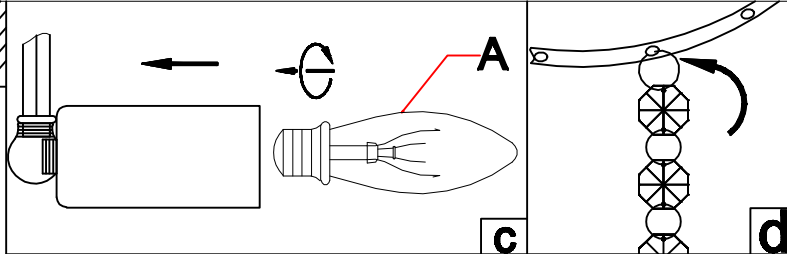
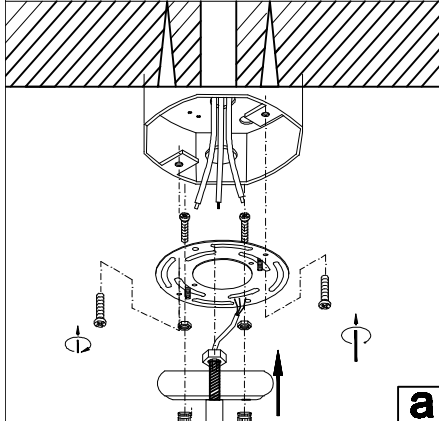
Model:839CH

INSTRUCTIONS

Size:L:ø50*H150 CM

Accessories specification

No.	Specification	Q'TY	Remarks
A	E12 (120V. 60W)	6	
B	14#X8+30#	18	
C	14#X9+30#	12	
D	14#X10+30#	6	
E	14#X8+30#	1	



e