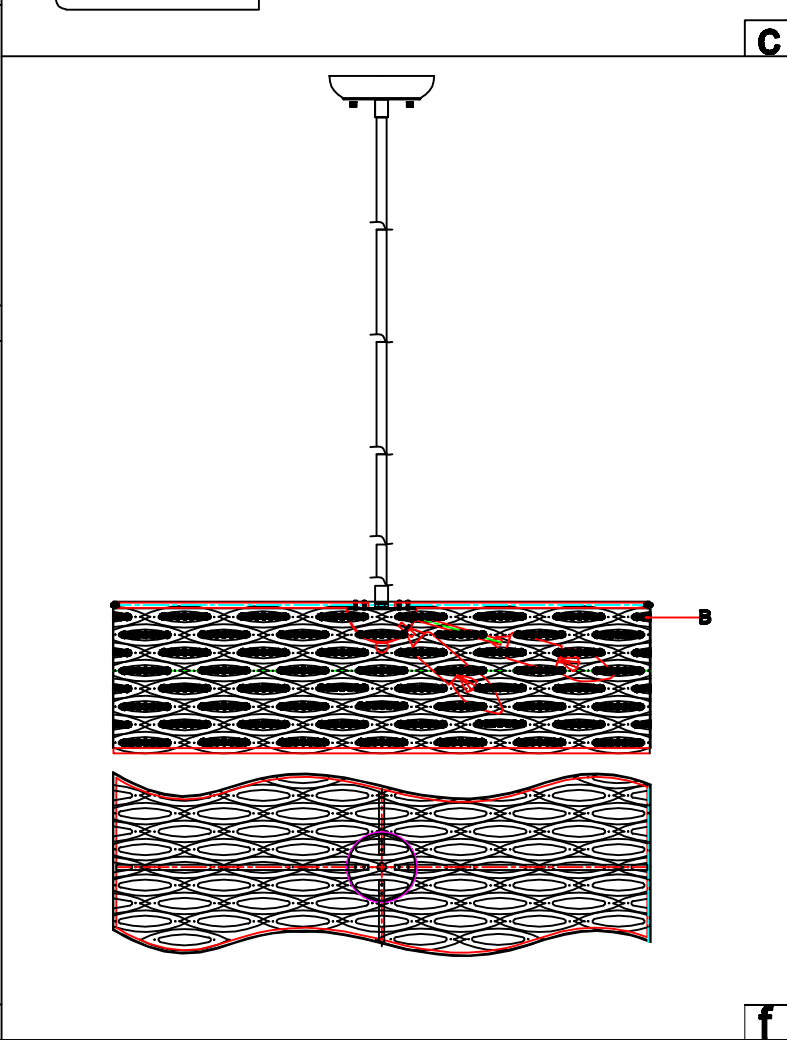
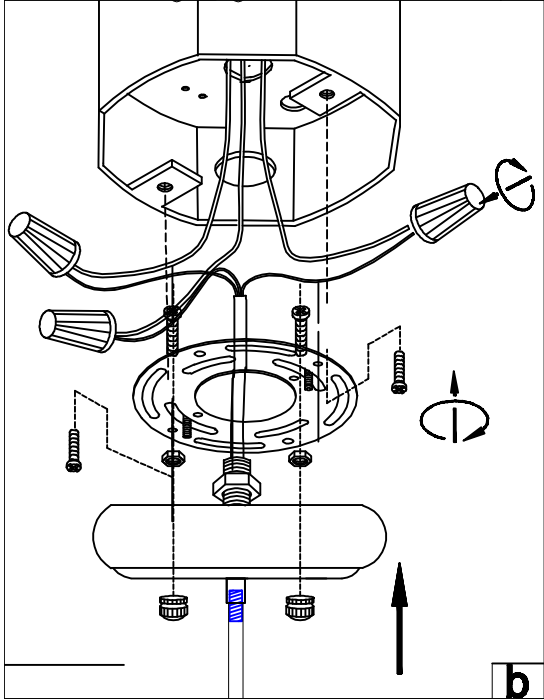
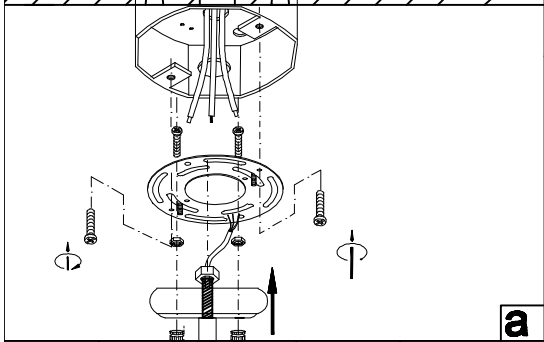
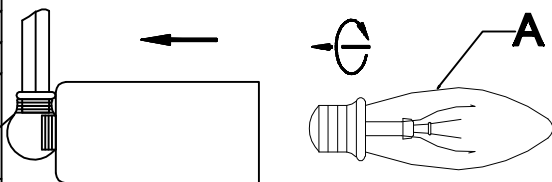
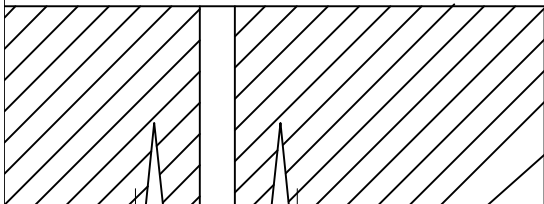


Model:845CH

INSTRUCTIONS

Size:L62*W18*H18 CM

Accessories specification



No.	Specification	Q'TY	Remarks
A	E12 (110V-120V, 60W)	6	
B	8#*7	196	

